

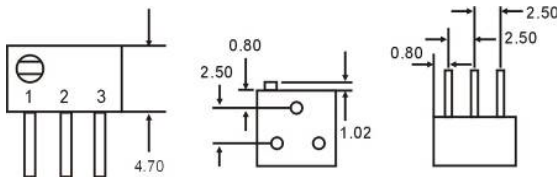
# VTR-A-3266 Square Trimming Potentiometer



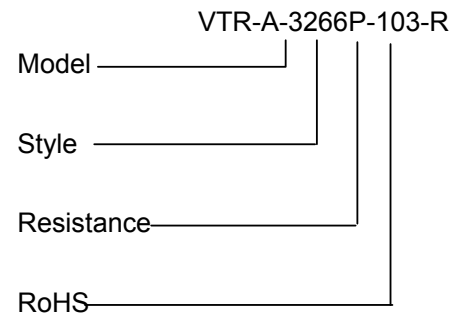
Multiturn/ Cermet/ Industrial/ Sealed \* 5 Terminal Styles

Electrical Characteristics		Environmental Characteristics	
Standard Resistance Range	10Ω - 5MΩ	Power Rating (max 315V)	0.25W@70°C, 0W@125°C
Resistance Tolerance	±10%	Temperature Range	-55°C ~ +125°C
Absolute Minimum Resistance	≤10Ω(100Ω≤R≤1K Ω)	Temperature Coefficient	250 or ±100ppm/°C
Resistance	≤1%R (R>1K Ω)	Temperature Variation	-55°C, 30min, +125°C 30min, 5 cycles
Contact Resistance Variation	CRV≤3% or 5 Ω	Vibration	ΔR≤5%R, Δ(Uab/Uac)≤5% 10 – 500Hz, 0.75mm, 6h
Insulation Resistance	R1≥1GΩ(100Vac)	Collision	ΔR≤5%R, Δ(Uab/Uac)≤7.5% 390m/s <sup>2</sup> , 4000cycles, ΔR≤5%R
Withstand Voltage	200V	Electrical Endurance at 70°C	0.25W@70°C 1000h, ΔR≤10%R CRV≤3% or 5 Ω (whichever is larger)
Effective Travel	12±2 turns	Rotational Life	200 cycles ΔTR≤10%R, CRV≤3% or 5 Ω
Physical Characteristics			
Starting Torque	≤35mN·m		
	Resistance Tolerance		
Marking	Model		
	Resistance Code		
Standard Packaging	50pcs, per tube		

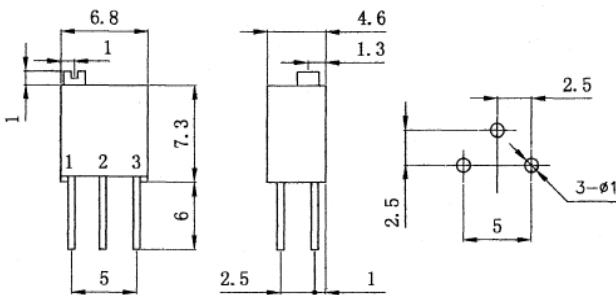
VTR-A-3266P



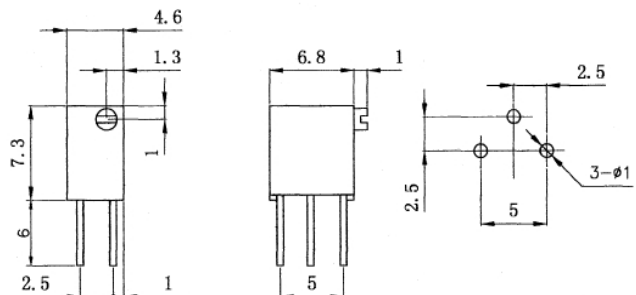
### How To Order



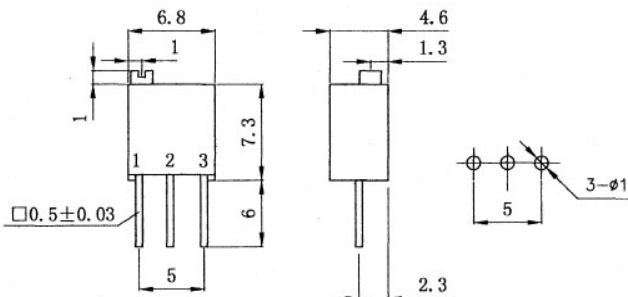
VTR-A-3266W



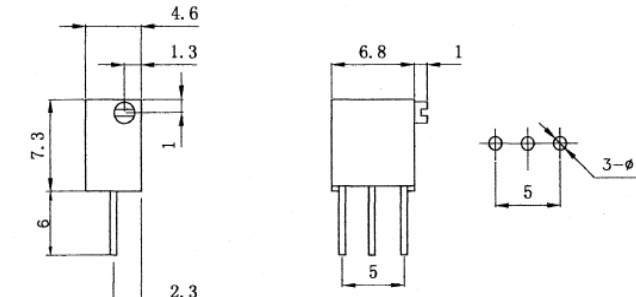
VTR-A-3266X



VTR-A-3266Y



VTR-A-3266Z



Note: Specification are subject to change without notice. For more updated information, please visit our website.